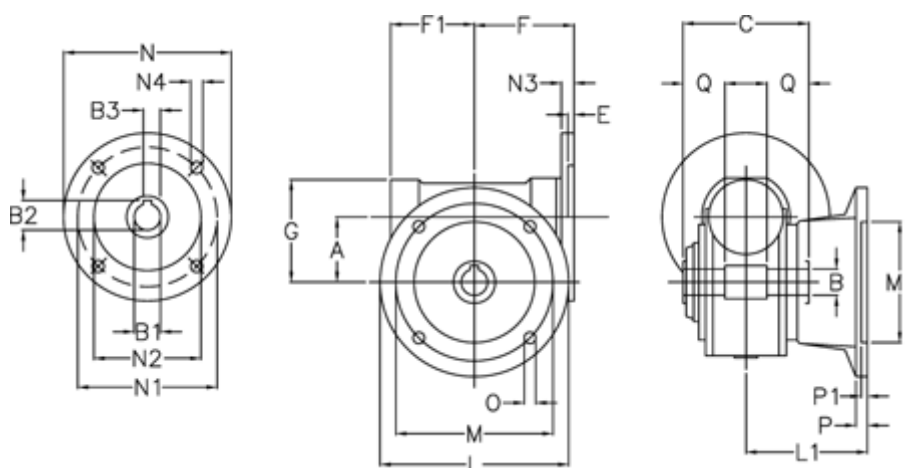


Article number: 390204901043210

Description: Worm gear
VF 49-F2-10-80B5

Measures



A	= 49.5	F1	= 63	N2	= 130
B	= 25 H7	G	= 80	N3	= 10
B1 E7	= 19	L	= 125	N4	= 11.5
B2	= 21.8	L1	= 85.5	O	= 10.5
B3 H9	= 6	M	= 90	P	= 12
C	= 82	M1	= 70	P1	= 10
E	= 3	N	= 200	Q	= 22.5
F	= 70	N1	= 165		